

Lifter LockOut™

Lifter LockOut™

Keep your employees safe with our patent pending Lifter LockOut™. The innovative device senses when a load is in the lifter and locks out the lifter functions to prevent inadvertent opening of the lifter. This can be installed on most motorized lifters that do not have a means of locking out the drive. Caldwell Model 84 Coil Grab, Model 85P Paper Roll Grab, and Model 60 Sheet lifters are just a few examples. It can even be installed on other manufacturers' lifting equipment.

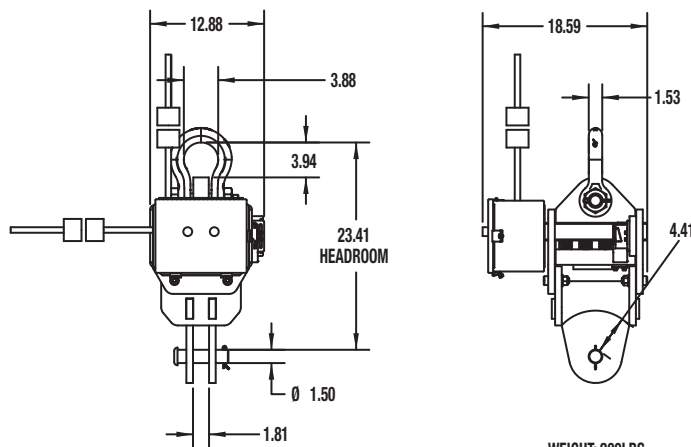
NEW



Patent Pending

- Senses when a load is on the lifter and locks out its functions by turning off the electrical power.
- Eliminates the possibility of the operator accidentally opening the lifter and dropping the load.
- Can be added to any motorized lifter.
- Easy to install. Simply hang from you crane hook, pin to the lifter, plug in and adjust as needed.

Model LLO-15 Dimensions

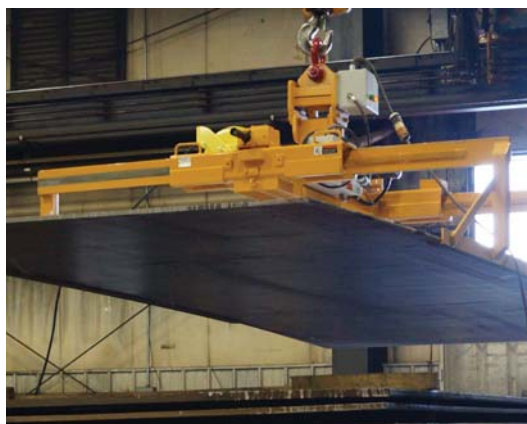


WEIGHT: 200LBS.

Works on other manufacturers' lifting equipment too!



A.60



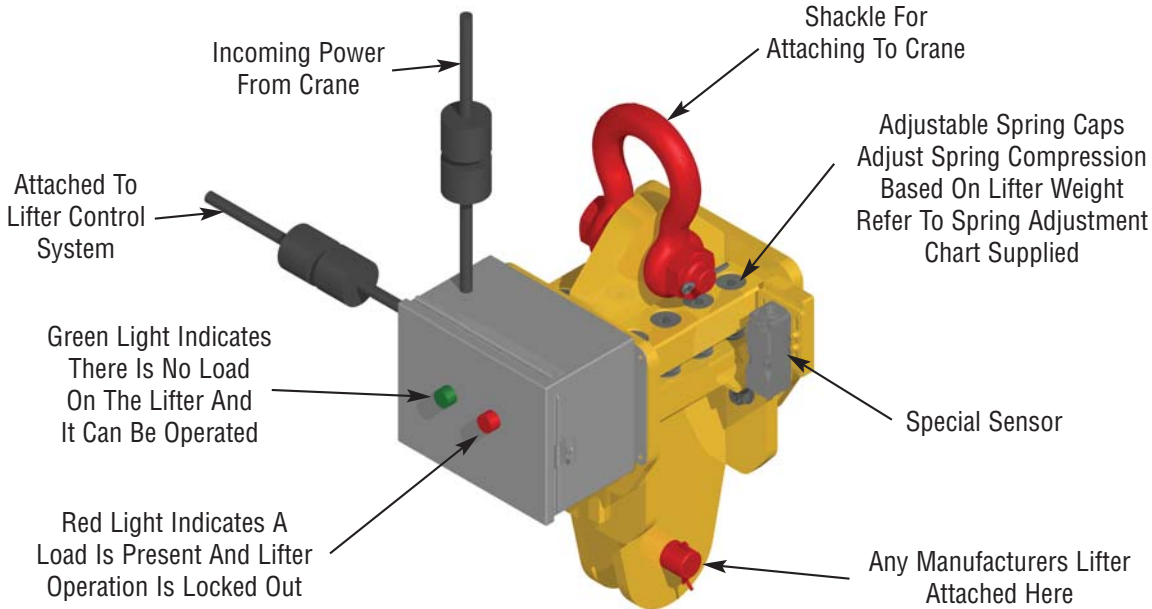
Lifter LockOut™

Lifter LockOut™ Set Up

- Compression springs are configured to accommodate the pre-load weight of the lifter.
- Four, six or eight springs can be used in addition to screw cap adjustment for precision configuration of the lockout settings.
- Shackle lifting eye easily attached to many size crane hooks.
- Pin bail allows for easy attachment to most lifters.
- Maximum 30,000 pound capacity.
- Maximum lifter weight of 7,000 pounds.
- Designed for 480v/3ph/60hz power supply.

Custom Lifter LockOut™ Configurations:

- Special Voltages.
- Custom attachment point for lifter.
- Custom attachment to crane hook.
- Larger capacities.
- Heavier lifter weights.



REQUIRED INFORMATION:

Lifter Weight: _____

Bail Opening Dimentions: _____

Load Weight: _____

Special Designs Available
On Request

Contact: _____

Company: _____

Address: _____

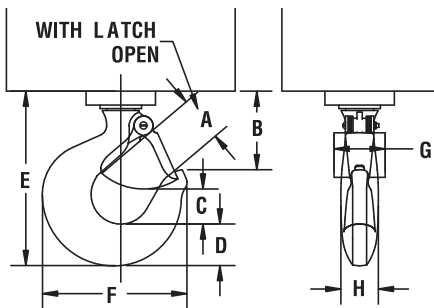
City, State, Zip: _____

Phone: _____

Fax: _____

Email: _____

CRANE HOOK DATA:



INCHES

- A _____ +0
- B _____ +0
- C _____ +0
- D _____ -0
- E _____ -0
- F _____ +/-
- G _____ -0
- H _____ -0

Measurement Tolerances

- +0 = Measurement should be no larger but can be smaller than actual.
- 0 = Measurement should be no smaller but can be larger than actual.
- +/- = Measurement can be larger or smaller than actual.

For a price quote on your specific application, please complete the above form and fax to The Caldwell Group at **815-229-5686** or you can complete this form online at www.caldwellinc.com/applications.