

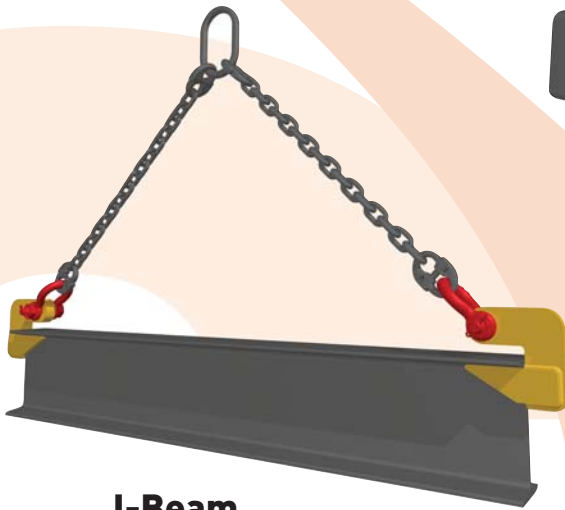
60
years 1954-2014

Caldwell

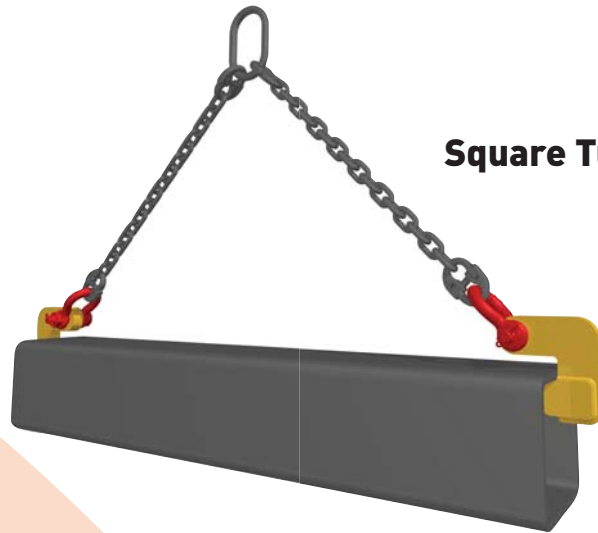
RIG-MASTER®

Load Hooks

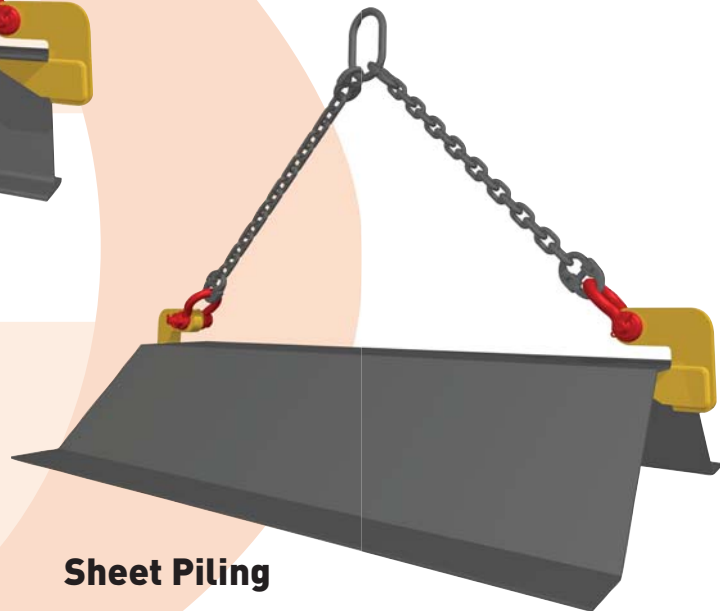
NEW



I-Beam



Square Tube



Sheet Piling

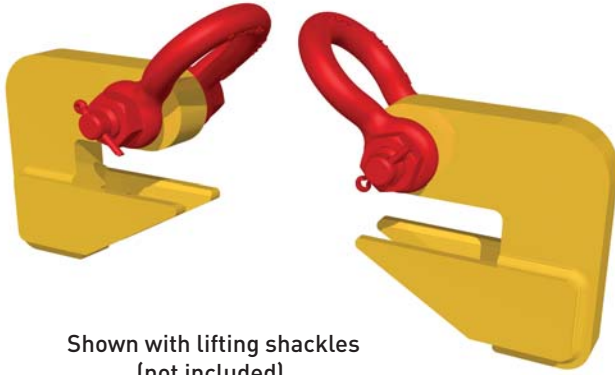
Versatile load hooks are designed to handle a wide range of applications. Unique lifting tines are spaced to accommodate I-Beam web and provide a flat lifting surface to handle other objects such as Sheet Piling, Tube, and Channel. Designed and manufactured to ASME standards.

Caldwell quality. Guaranteed.

caldwellinc.com



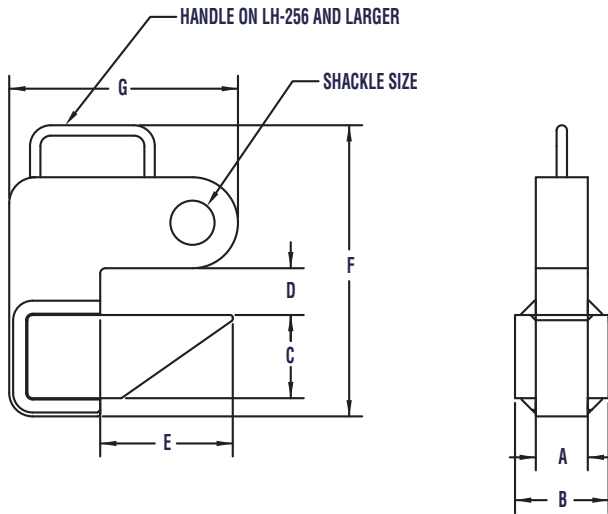
Load Hooks



Shown with lifting shackles (not included).

Product Features and Benefits:

- Unique lifting tines are spaced to easily accommodate I-Beam web.
- Flat surface on hooks lifts a wide range of shapes.
- Use in pairs in conjunction with a bridle sling and shackles.
- Capacity shown is for a 45° angle on the lifting system.
- Complies with ASME standards.



Model Number	Capacity Per Pair in Pounds at 45 degrees	Dimensions in inches									Weight Per Pair lbs.
		Shackle Size	Shackle Capacity (tons)	A	B	C	D	E	F	G	
LH-49	4,900	1/2	2	0.56	1.38	1.5	1	2.5	4.4	4.2	3
LH-100	10,000	3/4	4-3/4	0.94	1.75	2	1.25	3.5	5.9	6.8	8
LH-170	17,000	7/8	6-1/2	1.19	2.25	2.25	1.5	3.88	6.7	6.3	11
LH-256	25,600	1 1/8	9-1/2	1.44	2.5	2.88	1.75	4.63	10.4	7.5	20
LH-400	40,000	1 1/2	17	1.94	3.5	3.25	2	5.63	12.2	9.3	42
LH-674	67,400	1 3/4	25	2.44	4.5	4	2.25	6.38	14	8.8	75

Top rigging and shackles are not included.

5055 26th Avenue
Rockford, IL 61109

800.628.4263
815.229.5667

815.229.5686 fax
caldwellinc.com

The Caldwell Group, Inc.
Quality. Guaranteed.